

Model SIG

Explosion Proof Pressure Transmitter with Local Indication

Description

SIG model, has Explosion Proof(Ex d IIC T6) and water-proof(IP67) is ideal for a danger area and at the place is required to be waterproofed. With 4-1/2 Digit Backlight LCD, it can not only display up to ± 19999 but also is visible from the dark place. Its functions, Analog output, Relay output and RS-485 communication, Pressure Unit convertor and Scale adjustment can be utilized with a variety of controller.

Features

- ▶ CE Certified
- ▶ Explosion proof approval to Ex d IIC T6, IP67
- ▶ 4 1/2 digit Backlight LCD display
- ▶ Built-in amplifier circuit(VDC, mA)
- ▶ Optional 2-channel Relay output
- ▶ Optional RS485 output
- ▶ Measuring range -0.1~500MPa
- ▶ 0.2 / 0.5%FS accuracy

Applications

- ▶ Process control & monitoring
- ▶ Hydraulics & Pneumatic
- ▶ Chemical & Petrochemical
- ▶ Liquid level measurement
- ▶ Food & Pharmaceutical
- ▶ Gas transmission pipe-line
- ▶ Plant utilities monitoring



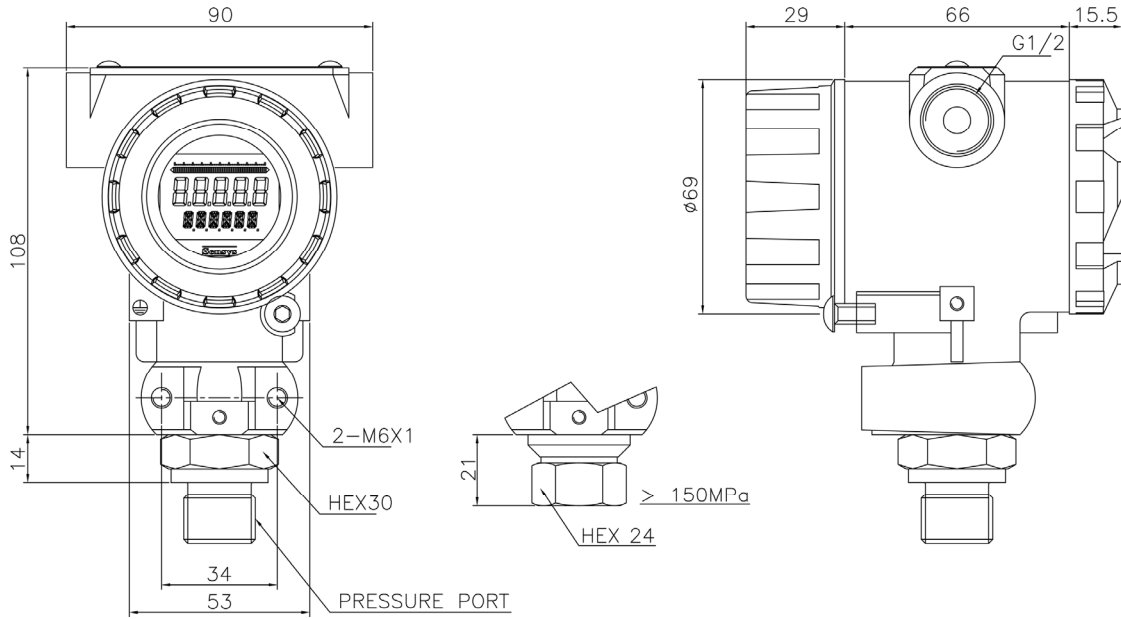
Specifications

	Accuracy 0.2%FS		Accuracy 0.5%FS	
Range	0~5kPa...70MPa(Gauge) -100kPa~0...70MPa(Gauge) 0~35kPa...70MPa(Absolute)		0~71...500MPa(Gauge)	
Performance	±0.2%FS±1digit Thermal Effect on Zero ±0.03%FS/°C Thermal Effect on Span ±0.03%FS/°C		±0.5%FS±1digit ±0.05%FS/°C ±0.05%FS/°C	
Ambient Temperature Range			-20~60°C	
Process Temperature Range			-40~120°C	
Electrical	±19999(4 1/2) Backlight LCD			
Display	11 ~ 28VDC			
Excitation	11 ~ 28VDC		17~28VDC	
Output	11 ~ 28VDC		17~28VDC	
Analog	4~20mA(2Wire)	0~5VDC 1~5VDC 0~10VDC 4~20mA(3Wire)	4~20mA(2Wire)	0~5VDC 1~5VDC 0~10VDC 4~20mA(3Wire)
Switching(Optional)	-	2Ch Relay (3A 30VDC / 3A 250VAC)	-	2Ch Relay (3A 30VDC / 3A 250VAC)
Digital(Optional)	-	RS485	-	RS485
Response Time			0.1~1sec	
Electrical Connection			G(PF) 1/2"	
Physical				
Proof Pressure	X3또는 140MPa1)		71~150MPa : X1.5 or 150MPa1) > 150MPa : X1.5 or 500MPa1)	
Vibration	49.1m/s2{5G}, 10~500Hz			
Shock	490m/s2{50G}			
Pressure Port	R1/4",G1/4",R3/8",G3/8",R1/2",G1/2", 9/16UNF Female(Only > 1500bar), Flange & Other Connection Available on Request			
Media-Wetted Materials	SS316L, VITON		SS316L, Ti 87%	
Explosion Proof	Ex d IIC T6, IP67			
Protection	IP67			
Weight	Approx. 1kg			

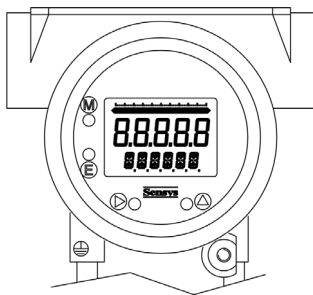
¹⁾ Whichever is less.

Dimension

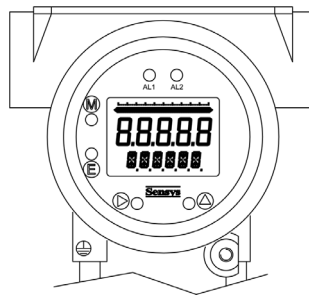
► Out Dimension



► Front Panel

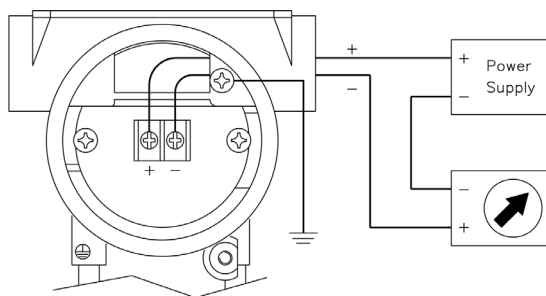


Non Switching Output Type

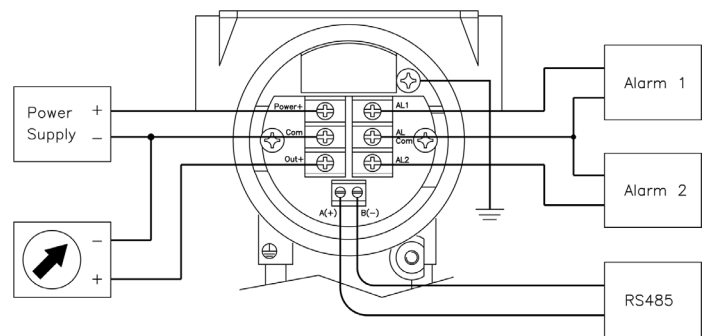


Switching Output Type

► Connection

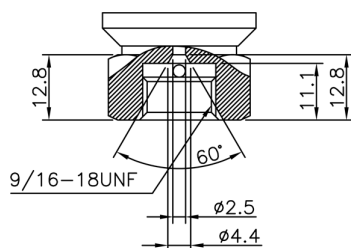


2Wire Output Type



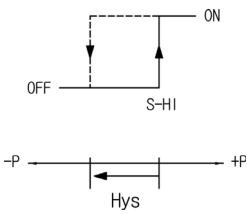
3Wire Output(Option : Switching Output, RS485)

► Pressure Port(> 1500bar)

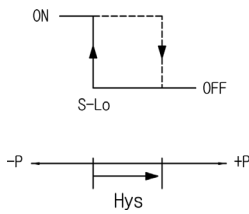


Alarm Mode

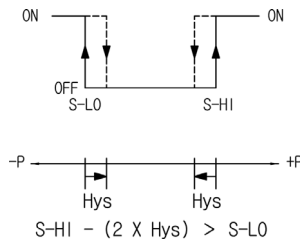
▶ Hi Mode



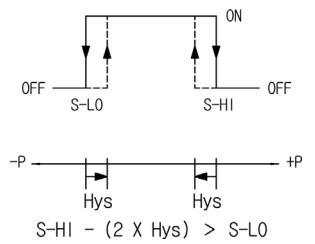
▶ Low Mode



▶ A Mode



▶ B Mode



Ordering Information

Model Name		SIG	H	A	0100	R	A	G	S	Accuracy	
Analog Output		C : 0~5V		E : 1~5V		G : 4~20mA(3Wire)		H : 4~20mA(2Wire)		J : 0~10V	
Switching & Digital Output		A : None		B : 2-Ch. Relay		C : RS485		D : 2-Ch. Relay, RS485		Type of Pressure Measurement	
Pressure Range		XXXX : Pressure		CXXX : Compound Pressure		G : Gauge		J : Absolute		Pressure port	
		A : R(PT)3/8"		B : G(PF)3/8"		C : R(PT)1/4"		D : G(PF)1/4"		E : R(PT)1/2"	
		K : 9/16-18 UNF(F) (Only > 1500bar)		*. Flange & Other Connection Available on Request		Pressure Unit		R : kPa		M : MPa	
		B : bar		K : kgf/cm ²		P : psi		H : mmHg		D : mmH ₂ O	
		C : cmH ₂ O		A : Pa							